

WORK TO DIMENSION

REV.NO.

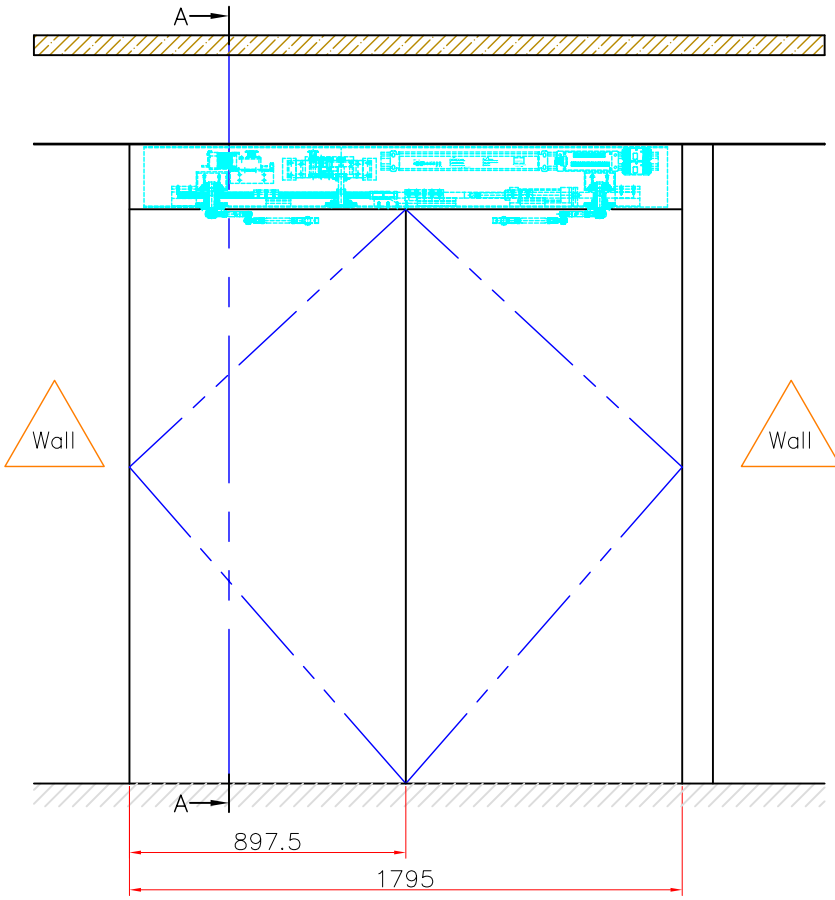
ZONE

DESCRIPTION

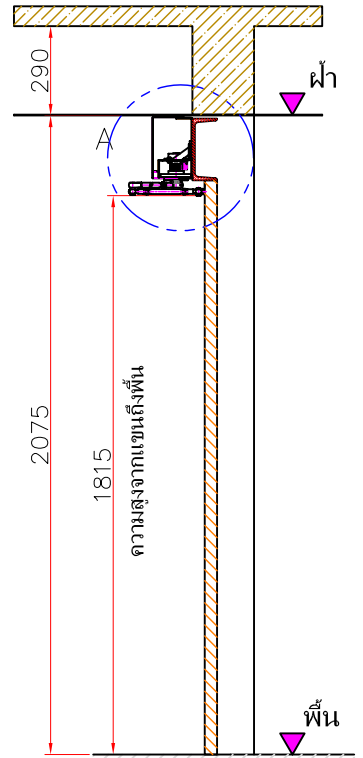
REV. DATE.

APPROVED BY.

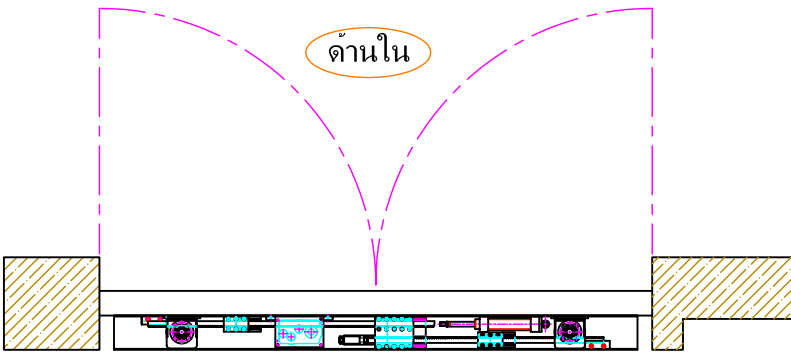
# ติดตั้งตู้ฝ้า



Front view

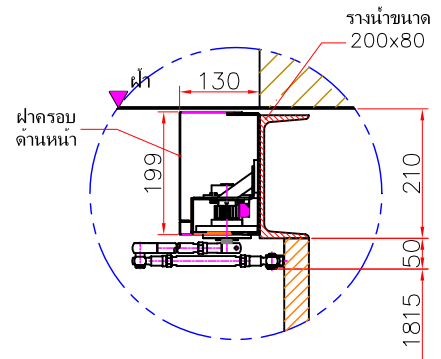


Section A-A



ด้านนอก

Top view



Detail A  
Scale 2:1

STANDARD TOLERANCE	POS.	PART NAME		DIMENSION/STANDARD		MATERIALS	WEIGHT	Q'TY	SUB.DRAWING NO.
DIMENSION	+	SCALE	DRAWN BY.	CHECKED BY.	APPROVED BY.	DATE			
0.5-3	0.1	S.NUT	S.NUT						
3-6									
6-30	0.2								
30-120	0.3								
120-315	0.3								
315-1000	0.5								
1000-2000	0.5								
		TITLE.	SWING DOOR@BANGKOK HOSPITAL						
		DRAWING NO.	SDI-50-004						
						DRAWING ASSY.NO.	SDI-50-004		
						ISO DOCUMENT NO.	FM-AI-RD-05:REV-01		

**ACME INTERNATIONAL (THAILAND) LIMITED**  
 630 SOI ONSA-NUCH54, SUKHUMVIT77, SUANLUANG, BANGKOK 10250  
 POSTAL ADDRESS: P.O.BOX, PRAKANGING 10110, THAILAND.  
 TEL : (662) 3205200-7 FAX : (662) 3205208  
 WEB SITE : www.acme-inter.com E-MAIL : info@acme-inter.com