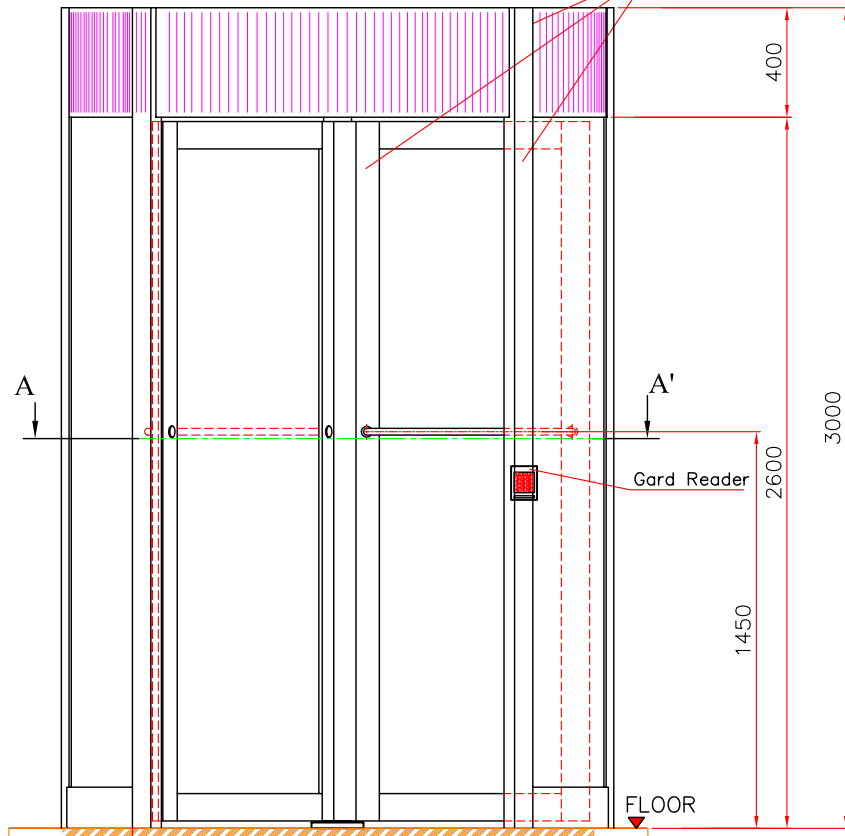
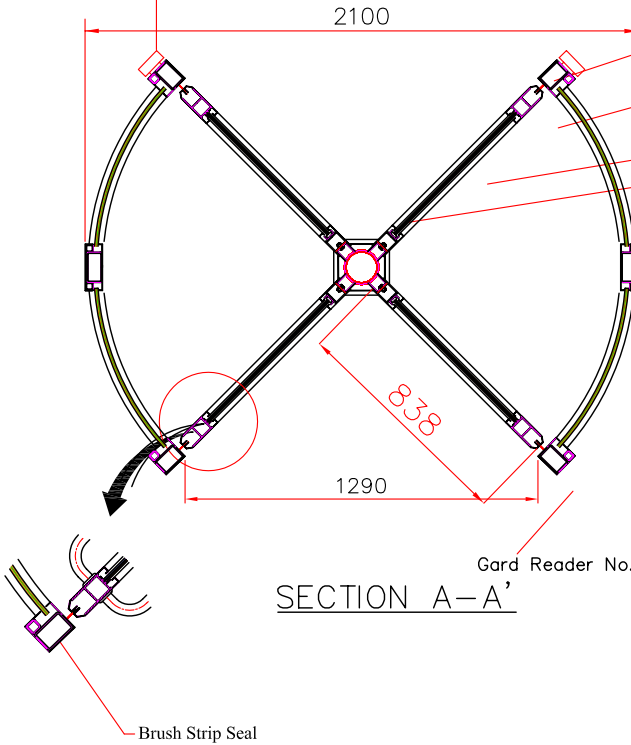


TURNSTILE KARTA TT- 20G

Cover with stainless steel hairline 1.2 mm. thk.



FRONT VIEW



SECTION A-A'

Gard Reader No.1

External glass with tempered.

8 mm. thk.

to be hairline finish

Door panel with tempered glass 8 mm.

Descriptions

- The turnstile is rotated manually by the user and can return backward to the same position automatically.
- The turnstile door is constructed of steel section and cover with stainless steel hairline 1.2 mm. thk.
- Bi-directional control.
- The locking device contain a cam plate and motor locking machanisms.
- The product can be combined with card reader.
- In case of urgent, the door can unlock by key switch or push botton at counter.

STANDARD TOLDRANGE	POS.	PART NAME		DIMENSION/STANDARD		MATERIALS	WEIGHT	Q'TY	SUB.DRAWING NO.
DIMENSION	+	SCALE	DRAWN BY.	CHECKED BY.	APPROVED BY.	DATE	ACME INTERNATIONAL (THAILAND) LIMITED		
0.5-3	0.1		N.WITTAYA				630 SOI ONS-NUCH4, SUKHUMVIT77, SUKUMLANG, BANGKOK 10250		
3-6	0.1						POSTAL ADDRESS: P.O.BOX, PRAKANDONG 10110, THAILAND.		
6-30	0.2						TEL : (662) 3205200-7 FAX : (662) 3205208		
30-120	0.3						WEB SITE : www.acme-inter.com E-MAIL : info@acme-inter.com		
120-315	0.3		TITLE.	TURNSTILE KARTA TT- 20G			DRAWING ASSY.NO.	AI-RD-084	
315-1000	0.5		DRAWING NO.	AI-RD-084-00			ISO DOCUMENT NO.	FM-AI-RD-05;REV-01	
1000-2000	0.5								